



Safety is for life.™

PRODUCT INFORMATION



FOR ZERO TO LOW PRESSURE OR VACUUM

Applications

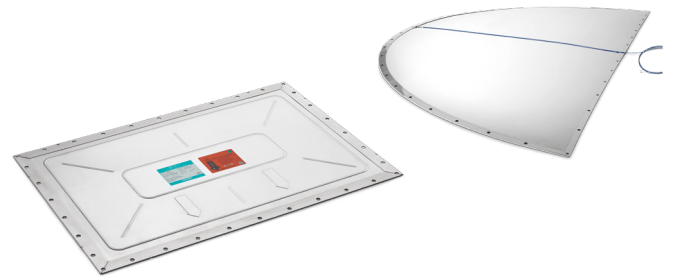
From spray dryers, elevators and chain conveyors to screeners with low vibration, silos with mechanical filling and cyclones – the EGV is suitable for use in a wide range of applications **in all sectors** for both non-pressurized processes and processes with low vacuum or overpressure (**up to 50% of static burst pressure**). The standard burst pressure is 0.1 bar at 71.6° F (22 °C).

Mechanism

When pressure rises, the explosion vent opens at the defined breaking point and releases pressure out of the vessel into the surrounding area.

Your advantages

- **High venting capacity and full bore opening** due to low surface weight.
- **High stability and opening speed** through integrated bionic structure.
- Direct installation of the explosion vent even on round vessels **prevents deposit accumulation and bacteria formation**. No complicated flange construction is required.
- **Adapts to a variety of processes** due to the wide range of EGV sizes and shapes available.
- **Quick and easy installation** since no counter flange is required with EGV.
- **Significant space savings** due to the integrated gasket and frame.
- **Guaranteed leaktight integrity**. Independently verified.



Technical data*

Standard burst pressure P_{stat}	0.1 bar
Max. permitted operating pressure	50% of P_{stat}
Temperature	-40 to +356 °F (-40 to +180 °C)
Material	Stainless steel
Gasket material	FDA approved silicone gasket
Tolerance	±20% at standard burst pressure
Process	Pulsating/non-pulsating
Standard vacuum resistance	50% of set pressure at non-pulsating processes
Recommended torque for M10 screws	20 Nm

*Our specialists would be pleased to assist you in finding a solution that matches your specific operating conditions.



ATEX
EC type examination
certificate no.
FSA 04 ATEX 1538 X

SIL equivalent SIL 4

You can find detailed information and contact details for enquiries relating to EGV explosion vents at www.rembe.us. Or just give us a call at: T +1 704 716 7022, info@rembe.us.

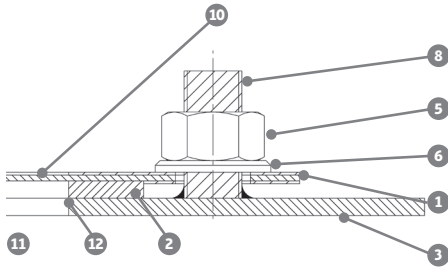




Safety is for life.™

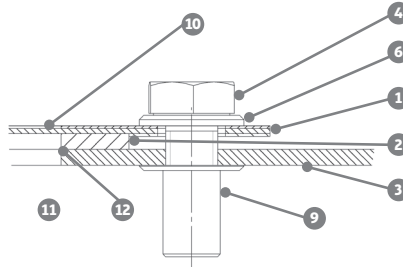
PRODUCT INFORMATION

Installation options



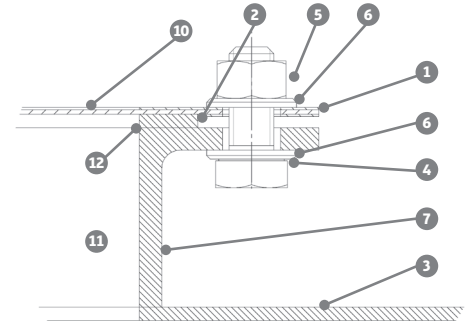
Installation with welded threaded bolts.

- 1 Explosion vent (bursting element, integrated gasket and integrated frame)
- 2 Integrated gasket
- 3 Vessel wall (opening dimensions +0/-2 mm)
- 4 Bolt



Installation with lock nuts.

- 5 Nut
- 6 Washer
- 7 Angular frame
- 8 Threaded bolt



Installation with flanges.

- 9 Lock nut
- 10 Bursting element
- 11 Opening
- 12 Edge ($r \leq 2$ mm)

Standard dimensions			
Max. size of wall opening – nominal vent dimensions		Effective venting area	
[inch]	[mm]	[sq in]	[cm ²]
5.1 × 19.7	130 × 500	100.75	650
9.0 × 12.0	229 × 305	108.5	700
7.1 × 16.5	180 × 420	116.3	750
7.9 × 18.1	200 × 460	142.6	920
9.7 × 18.3	247 × 465	170.5	1100
8.1 × 24.0	205 × 610	193.8	1250
13.4 × 15.2	340 × 385	201.5	1300
12.0 × 18.0	305 × 457	209.3	1350
12.4 × 18.4	315 × 467	227.9	1470
9.7 × 24.0	247 × 610	232.5	1500
13.0 × 18.5	330 × 470	240.3	1550
13.4 × 17.3	340 × 440	230.95	1490
15.7 × 15.7	400 × 400	248.0	1600
16.1 × 16.1	410 × 410	260.4	1680
12.0 × 24.0	305 × 610	288.3	1860
13.9 × 22.8	354 × 580	317.8	2050
14.8 × 25.8	375 × 655	379.75	2450
17.3 × 23.8	440 × 605	412.3	2660
18.5 × 24.0	470 × 610	441.8	2850

Standard dimensions			
Max. size of wall opening – nominal vent dimensions		Effective venting area	
[inch]	[mm]	[sq in]	[cm ²]
19.3 × 23.2	490 × 590	448.0	2890
11.8 × 39.4	300 × 1000	465.0	3000
17.9 × 29.9	454 × 760	527.0	3400
17.7 × 31.5	450 × 800	558.0	3600
23.6 × 23.6	600 × 600	558.0	3600
24.0 × 24.0	610 × 610	576.6	3720
18.0 × 35.0	457 × 890	635.5	4100
25.6 × 25.6	650 × 650	654.1	4220
20.5 × 32.3	520 × 820	660.3	4260
14.6 × 48.0	370 × 1220	697.5	4500
25.7 × 25.7	653 × 653	660.3	4260
23.6 × 31.5	600 × 800	744.0	4800
28.0 × 28.0	710 × 710	775.0	5000
24.4 × 32.3	620 × 820	790.5	5100
23.1 × 36.2	586 × 920	837.0	5400
19.7 × 43.3	500 × 1100	852.5	5500
29.5 × 33.1	750 × 840	914.5	5900
24.4 × 40.2	620 × 1020	979.6	6320
31.5 × 31.5	800 × 800	992.0	6400

Standard dimensions			
Max. size of wall opening – nominal vent dimensions		Effective venting area	
[inch]	[mm]	[sq in]	[cm ²]
24.0 × 44.0	610 × 1118	1054.0	6800
29.9 × 43.9	760 × 1114	1309.8	8450
33.1 × 36.2	840 × 920	1193.5	7700
36.2 × 36.2	920 × 920	1317.5	8500
18.0 × 78.7	457 × 2000	1416.7	9140
39.4 × 39.4	1000 × 1000	1550.0	10000
36.0 × 44.0	915 × 1118	1585.7	10230
30.3 × 52.8	770 × 1340	1596.5	10300
40.2 × 40.2	1020 × 1020	1612.0	10400
31.1 × 52.8	790 × 1340	1627.5	10500
36.2 × 49.4	920 × 1254	1788.24	11537
44.5 × 44.5	1130 × 1130	1976.3	12750
33.9 × 59.8	860 × 1520	2015.0	13000
37.0 × 56.7	940 × 1440	2092.5	13500
37.0 × 63.0	940 × 1600	2331.2	15040
43.7 × 57.5	1110 × 1460	2480.0	16000
36.2 × 75.6	920 × 1920	2712.5	17500
39.4 × 78.7	1000 × 2000	3100.0	20000

Other dimensions available on request.

Consulting. Engineering. Products. Service.

REMBE® Inc.

9567 Yarborough Road | Fort Mill, SC 29707, USA | T +1 704 716 7022 | F +1 704 716 7025
info@rembe.us | www.rembe.us